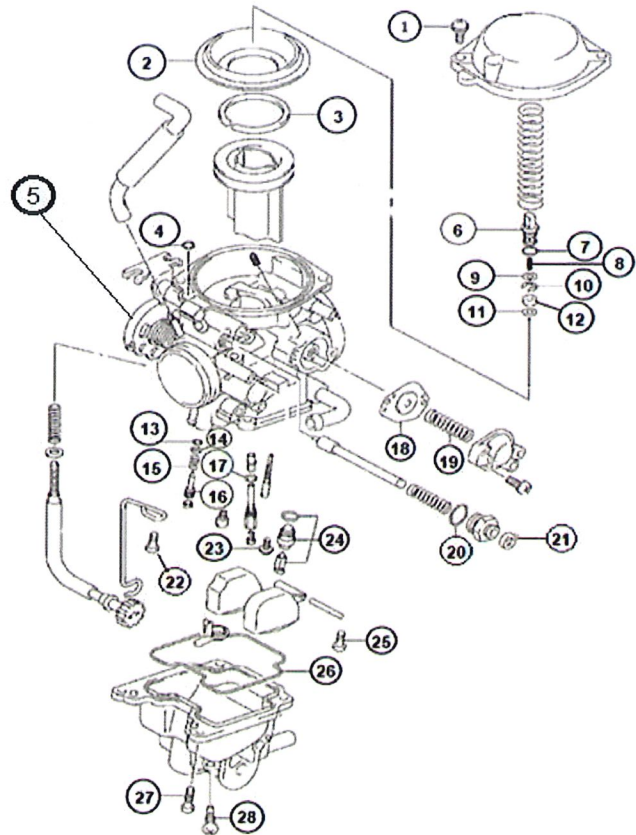


ITEM	QTY	DESCRIPTION
1	2	SCREW, TOP CAP
2	1	DIAPHRAGM
3	1	RING
4	1	O-RING
5	1	O-RING, COVER
6	1	HOLDER
7	1	O-RING
8	1	SPRING
9	1	WASHER
10	1	E-CLIP
11	1	WASHER
12	1	RING
13	1	O-RING
14	1	WASHER
15	1	SPRING
16	1	FUEL SCREW
17	1	O-RING
18	1	DIAPHRAGM
19	1	SPRING
20	1	O-RING
21	1	CAP
22	1	SCREW, BOWL
23	1	SCREW, FLOAT VALVE 2.5
24	1	FLOAT VALVE
25	1	SCREW, FLOAT
26	1	GASKET, BOWL
27	3	SCREW, BOWL
28	1	SCREW, BOWL DRAIN

MK-BSR36-89

APPLICATION:
MULTIPLE CHINESE MODELS
OEM BSR36-89



**REPLACEMENT JET NOTE

Due to varying model requirements, this kit does not include main or pilot jets

If needed, refer to the

following Mikuni Part numbers when acquiring these jets:

Main Jet: N102221-XXXX

Pilot Jet: N224103-XXXX

MIKUNI AMERICAN CORPORATION

www.mikunipower.com

HEAD OFFICE: 8910 MIKUNI AVENUE
NORTHRIDGE, CALIFORNIA 91324-3496
PHONES: (818) 885-1242
FAX: (818) 993-7387/8