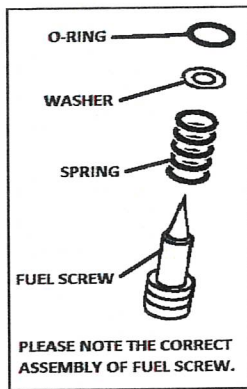
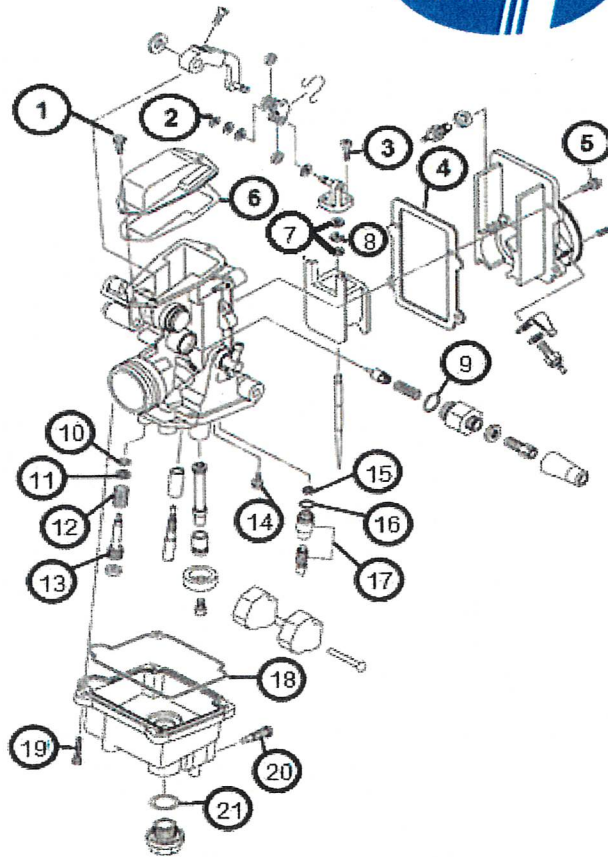


ITEM	QTY	DESCRIPTION
1	2	SCREW, TOP CAP
2	1	E-CLIP
3	2	SCREW
4	1	GASKET
5	4	SCREW, BODY
6	1	GASKET, TOP
7	2	WASHER
8	1	E-CLIP
9	1	O-RING, CHOKE NUT
10	1	O-RING, FUEL SCREW
11	1	WASHER, FUEL SCREW
12	1	SPRING, FUEL SCREW
13	1	FUEL SCREW
14	1	SCREW, FLOAT
15	1	FILTER
16	1	O-RING
17	1	FLOAT VALVE 1.2
18	1	O-RING, BOWL GASKET
19	4	SCREW, BOWL
20	1	DRAIN PLUG
21	1	O-RING, BOWL NUT

MK-TM33-78SM

Yamaha Snowmobile applications
2018-2021 VK540



**REPLACEMENT JET NOTE

Due to varying model requirements, this kit does not include main or pilot jets

If needed, refer to the

following Mikuni Part numbers when acquiring these jets:

Main Jet: N102221-XXXX

Pilot Jet: N224103-XXXX

MIKUNI AMERICAN CORPORATION www.mikunipower.com

HEAD OFFICE: 8910 MIKUNI AVENUE
NORTHBRIDGE, CALIFORNIA 91324-3496
PHONES: (818) 885-1242
FAX: (818) 993-7387/B